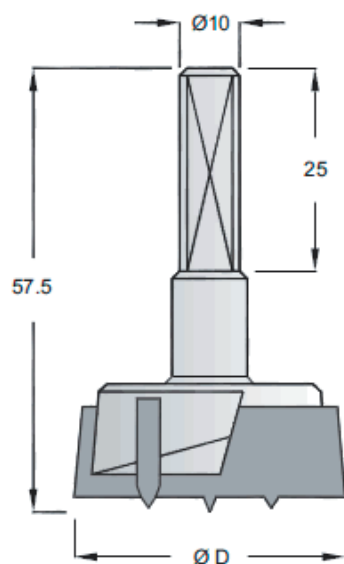


PUNTE PER CERNIERA IN HW

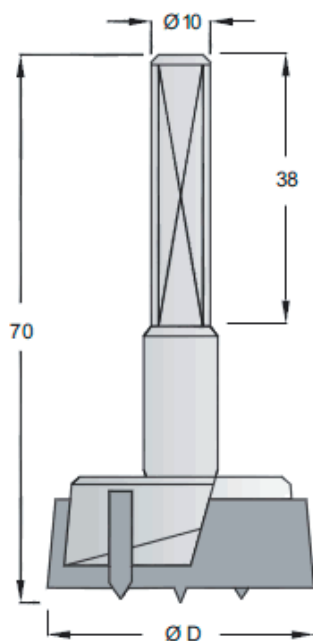
HW Hinge boring bit

HW Beschlagbohrer

HW Broca para Herrajes



Ø D	L	DX - RH	SX - LH
15	57.5	PC.SB.57/15.D	PC.SB.57/15.S
16	57.5	PC.SB.57/16.D	PC.SB.57/16.S
18	57.5	PC.SB.57/18.D	PC.SB.57/18.S
20	57.5	PC.SB.57/20.D	PC.SB.57/20.S
22	57.5	PC.SB.57/22.D	PC.SB.57/22.S
24	57.5	PC.SB.57/24.D	PC.SB.57/24.S
25	57.5	PC.SB.57/25.D	PC.SB.57/25.S
26	57.5	PC.SB.57/26.D	PC.SB.57/26.S
28	57.5	PC.SB.57/28.D	PC.SB.57/28.S
30	57.5	PC.SB.57/30.D	PC.SB.57/30.S
32	57.5	PC.SB.57/32.D	PC.SB.57/32.S
34	57.5	PC.SB.57/34.D	PC.SB.57/34.S
35	57.5	PC.SB.57/35.D	PC.SB.57/35.S
36	57.5	PC.SB.57/36.D	PC.SB.57/36.S
38	57.5	PC.SB.57/38.D	PC.SB.57/38.S
40	57.5	PC.SB.57/40.D	PC.SB.57/40.S



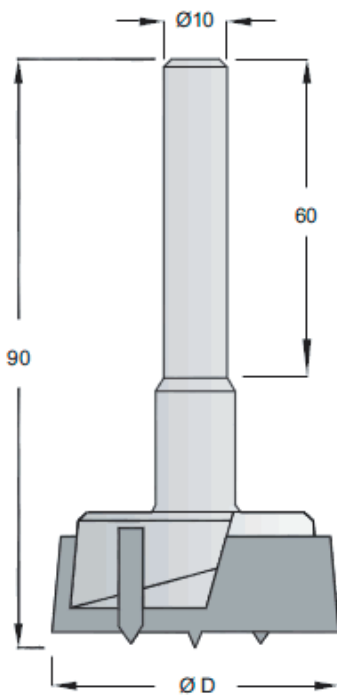
Ø D	L	DX - RH	SX - LH
15	70	PC.SB.70/15.D	PC.SB.70/15.S
16	70	PC.SB.70/16.D	PC.SB.70/16.S
20	70	PC.SB.70/20.D	PC.SB.70/20.S
25	70	PC.SB.70/25.D	PC.SB.70/25.S
26	70	PC.SB.70/26.D	PC.SB.70/26.S
30	70	PC.SB.70/30.D	PC.SB.70/30.S
35	70	PC.SB.70/35.D	PC.SB.70/35.S

PUNTE PER CERNIERA IN HW

HW Hinge boring bit

HW Zylinderkopfbohrer

HW Broca para Herrajes



Ø D	L	DX - RH	SX - LH
15	90	PC.M.90/15.D	PC.M.90/15.S
16	90	PC.M.90/16.D	PC.M.90/16.S
17	90	PC.M.90/17.D	PC.M.90/17.S
18	90	PC.M.90/18.D	PC.M.90/18.S
19	90	PC.M.90/19.D	PC.M.90/19.S
20	90	PC.M.90/20.D	PC.M.90/20.S
22	90	PC.M.90/22.D	PC.M.90/22.S
24	90	PC.M.90/24.D	PC.M.90/24.S
25	90	PC.M.90/25.D	PC.M.90/25.S
26	90	PC.M.90/26.D	PC.M.90/26.S
28	90	PC.M.90/28.D	PC.M.90/28.S
30	90	PC.M.90/30.D	PC.M.90/30.S
32	90	PC.M.90/32.D	PC.M.90/32.S
34	90	PC.M.90/34.D	PC.M.90/34.S
35	90	PC.M.90/35.D	PC.M.90/35.S
36	90	PC.M.90/36.D	PC.M.90/36.S
38	90	PC.M.90/38.D	PC.M.90/38.S
40	90	PC.M.90/40.D	PC.M.90/40.S
45	90	PC.M.90/45.D	PC.M.90/45.S
50	90	PC.M.90/50.D	PC.M.90/50.S
55	90	PC.M.90/55.D	PC.M.90/55.S
60	90	PC.M.90/60.D	PC.M.90/60.S