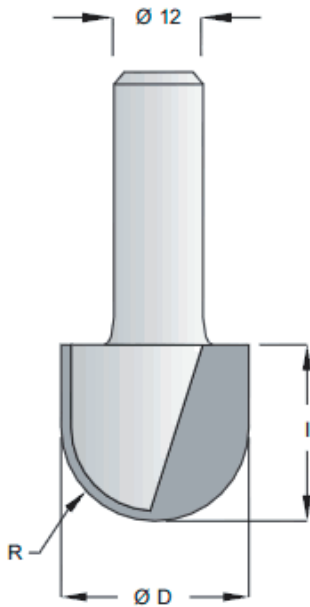


FRESE A RAGGIO CONVESSO IN HW

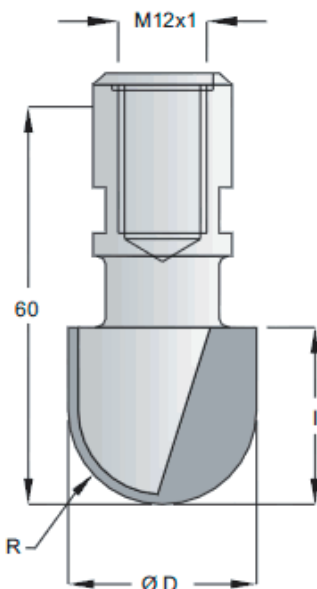
HW Cove router bit

HW Röhkehlfräser

HW Fresas de perfil para fresadora



Ø D	I	R	
16	18	8	FRCV.16-18/8
20	18	10	FRCV.20-18/10
24	18	12	FRCV.24-18/12
30	18	15	FRCV.30-18/15



Ø D	I	R	
16	18	8	FRCV.16-18/8.M12
20	18	10	FRCV.20-18/10.M12
24	18	12	FRCV.24-18/12.M12
30	18	15	FRCV.30-18/15.M12